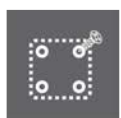


S462 ULTRASONIC FLOW METER



Clamp On Ultrasonic Flow Meter — measures water and other liquids throughout the facility



S462 FEATURES



**TRANSIENT TIME
CORRELATION
TECHNIQUE**



STATIONARY
Connectable to
S330 / S331 series



PORTABLE
Connectable
to S551



**COMPACT
DESIGN**
Can be installed
anywhere

S462 BENEFITS

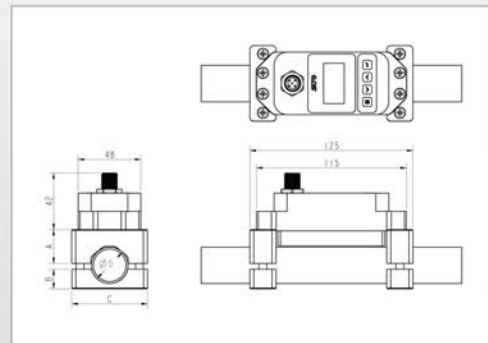
The S462 ultrasonic clamp on flow meter uses the proven transit-time correlation technique. The unit is simply clamped onto the pipe and will never come in contact with the fluid.

Available in pipe sizes from DN20 ... DN40 the S462 impresses with ease of installation and accurate flow readings. It comes with Modbus/RTU interface and 4 ... 20 mA output, which makes it easy connectable to any facility monitoring system.

Of course S462 clamp on ultrasonic flow meter also works with the SUTO displays and data loggers S330/331 and S551.

S462 FEATURES AT A GLANCE

- Clamp on type, very easy installation
- No moving parts
- Can be installed on stainless steel pipe, carbon steel pipe, copper pipe or plastic pipe such as (PVC, PVDF, PPR, PPH, HDPE, etc.)
- Clean fluid measurements: water, various acids, alcohols, chemical solvents, beverages, etc.
- Available pipe sizes: DN15, DN20, DN25, DN32, DN40



Model size	A (mm)	B (mm)	C (mm)	D (mm)	
				min	max
DN20	26.5	15	58	25	28
DN25	30	18	58	32	35
DN32	33	22.5	68	38	45
DN40	38	27	78	48	54

S462 ULTRASONIC FLOW METERS

S462 TECHNICAL DATA

Measurement					
Flow					
Accuracy	2.0 % o.RDG				
Measuring range	0.5 ... 5.0 m/s				
Selectable units	m ³ /h, l/min, GAL				
Measuring range	see table below				
Repeatability	0.80 % o.RDG				
Sensor	Piezzo ultrasonic transducer				
Sampling rate	3/sec				
Turndown ratio	10:1				
Response time (t90)	<2 sec				
Consumption					
Selectable units	m ³ , liter, GAL				
Signal / Interface & Supply					
Analog output					
Signal	4 ... 20 mA				
Scaling	0 ... max flow / adjustable				
Load	<600R				
Update rate	3/sec				
Fieldbus					
Protocol	Modbus/RTU				
Supply					
Voltage supply	20 ... 28 VDC				
Current consumption	100 mA @ 24 VDC				
General data					
Configuration					
Settings	via integrated keyboard				
Display					
Integrated	OLED, 128 x 64 pixel (31 x 16 mm)				
Data Logger					
Totalizer	Daily, monthly, yearly consumption				
Material					
Housing	Aluminum alloy				
Sensor	PEI				
Display cover	PMMA				
Key pad	F150				
Miscellaneous					
Dimensions	125 X 48 X 55 mm				
Electrical connection	1 x M12 (5 pole)				
Protection class	IP65				
Approvals	CE, RoHS, FCC				
Weight	0.47 ... 0.60 kg (depends on model)				
Model Depending Technical Data					
	Model	DN20	DN25	DN32	DN40
Pipe size	Pipe OD (mm)	25 ... 28	32 ... 35	38 ... 45	48 ... 54
	Pipe ID (mm)	20	25	32	40
	NPS	3/4"	1"	1 1/4"	1 1/2"
Flow Range	Min flow (l/min)	9,4	14,7	24,1	37,7
	Max flow (l/min)	94,2	147,2	241,2	377,0

Operating conditions	
Medium	Water, sea water, oil
Medium quality	No solid particles, no air bubbles
Pipe material	Carbon steel, stainless steel, copper, PVC, PP, PU
Medium temperature	0.5 ... 5.0 °C
Ambient temperature	0.5 ... 5.0 °C
Ambient humidity	< 95 % rH
Storage temperature	-30 ... 70 °C
Transport temperature	-30 ... 70 °C
Pipe sizes	DN20, DN25, DN32, DN40



S462 Main unit



Placing the coupling pads before installation on the transducer surface



Easy installation through mounting brackets

S462 ORDERING

Please use the following table to assist in placing your order with our sales staff.

S462 CLAMP ON ULTRASONIC FLOW METER FOR LIQUIDS	
Order No.	Description
S695 4621	S462 Clamp On Ultrasonic Flow meter, DN20 , including 1.8m cable and 4 coupling pads
S695 4622	S462 Clamp On Ultrasonic Flow meter, DN25 , including 1.8m cable and 4 coupling pads
S695 4623	S462 Clamp On Ultrasonic Flow meter, DN32 , including 1.8m cable and 4 coupling pads
S695 4624	S462 Clamp On Ultrasonic Flow meter, DN40 , including 1.8m cable and 4 coupling pads
Accessories	
A695 4620	Coupling pad, 4 pieces, 0 ... +80 °C
A554 0129	Transport casing S462 , can hold 4 units, battery pack, 2m cable, 5m cable, cal cert, IM, dimensions: 465 x 365 x 185 mm
A554 0130	Battery pack (lasts for 25 h operation), 1.8 m cable with M12 connector, including charger. Recommended for portable unit
R200 4620	Calibration S462
A4615	Sensor cable length extension (please inquire)



Vertical installation on a water pipe