



## S 305 DEW POINT MONITOR (-50°C... +20°C / -20°C... +50°C)

### Features

- 2 models: -50°C ... +20°C and -20°C ... +50°C
- Plug & Play (complete solution)
- Compressed air supply through 6 mm Quick-Connect
- Power supply: 100 ... 240 VAC or 24 VDC
- Wall or panel mountable
- Accuracy of  $\pm 2^{\circ}\text{C}$
- IP65 casing provides robust protection in rough industrial environment
- 4 ... 20 mA output to PLC or SCADA system
- Pre- and Main-Alarm programmable:
  - Optical: red blinking display
  - 2 relay outputs

### Technical data S 305

Measuring range (model depending)	Dew point	-50°C ... +20°C -20°C ... +50°C
Dew point sensor	Polymer	
Temperature sensor	NTC	
Pressure sensor	N/A	
Accuracy	Dew point Temperature	$\pm 2^{\circ}\text{C}$ 0.3°C
Operating Pressure	0.3 ... 1.5 Mpa	
Operating Temperature (Medium)	-30°C ... +70°C	
Measured gases (Medium)	Non-corrosive gases	
Response Time t90 (@ 4 l/min)	-50°C -> -20°C: 20 sec 0°C -> -40°C: 120 sec	
Ambient Temperature	-10°C ... +40°C	
Ambient Humidity	0 ... 90 %rH	
Supply Voltage (model depending)	100 ... 240 VAC 24 VDC	
Current consumption (model depending)	40 mA @ 220 VAC 120 mA @ 24 VDC	
Output signals	4 ... 20 mA 3-Wire	
Electrical connection	Screw terminals	
Process connection	6 mm quick connector Aluminium alloy	
Casing material	ABS	
Classification	IP65	
EMC	IEC 61326-1	
Approval	-	
Sensor protection	Sinter filter	
Transport Temperature	-30°C ... +70°C	
Storage Temperature	0°C ... +40°C	
Weight	520 g	

Refrigeration dryers are the most commonly used dryer type in compressed air system around the world. If the required drying is not achieved, the impact of wet air can be serious: Rust in the pipes, failures of machines, and a negative impact on product quality.

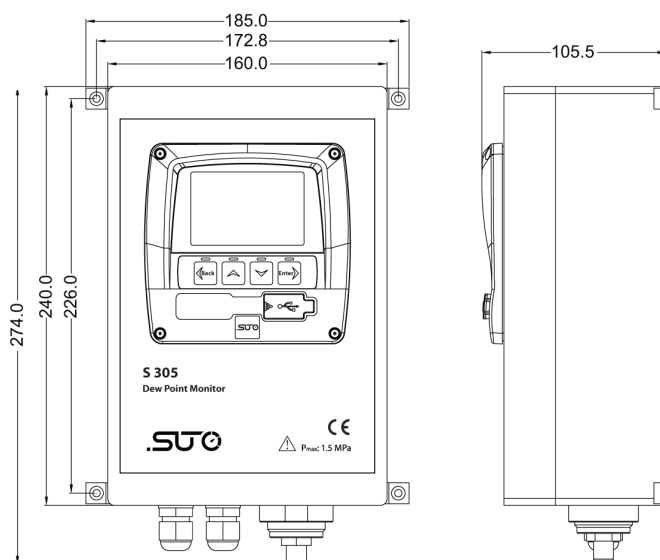
SUTO offers with the S 305 a measuring device for dew point monitoring that kicks in alarm indications when drying values are not within the desired range.

The All-In-One dew point monitor serves as a measuring and display device. The connection to the compressed air network is via a 6-mm quick connect and corresponding connecting hose. The entire measuring unit is integrated together with the display in a rugged housing (IP65) and is available both as a panel variant or as a wall-mounted housing. Two alarm levels can be programmed (pre and main alarm), serving an optical indications or separate relay outputs. The dew point meter allows a simple and inexpensive dew point monitoring.

#### Stated accuracy under following conditions:

- Ambient temperature  $23^{\circ}\text{C} \pm 3^{\circ}\text{C}$
- Process temperature  $23^{\circ}\text{C} \pm 3^{\circ}\text{C}$
- Ambient humidity < 95%, no condensation
- Airflow > 1 l/min at sensor tip

# S 305 DEW POINT MONITOR



Alarm adjustment at dew point sensor

Order no.	Description
D699 3050	S 305, dew point monitor, -20°C ... +50°C, 6 mm quick connector, 15 bar, 1 x 4 ... 20 mA, 100 ... 240 VAC, 2 relay outputs
D699 3051	S 305, dew point monitor, -20°C ... +50°C, 6 mm quick connector, 15 bar, 1 x 4 ... 20 mA, 24VDC, 2 relay outputs
D699 3052	S 305, dew point monitor, -50°C ... +20°C, 6 mm quick connector, 15 bar, 1 x 4 ... 20 mA, 100 ... 240 VAC, 2 relay outputs
D699 3053	S 305, dew point monitor, -50°C ... +20°C, 6 mm quick connector, 15 bar, 1 x 4 ... 20 mA, 24VDC, 2 relay outputs
C198 0005	Filter cap, stainless steel, 30 µm pore size
A554 0024	Alarm unit, 100 ... 240 VAC, red light and buzzer alarm, wall mountable (unit is using the relay outputs of S 305 to trigger the alarm)
A554 0025	Alarm unit, 100 ... 240 VAC, red light and buzzer alarm, mounted at S 305 casing (unit is using the relay outputs of S 305 to trigger the alarm)
A553 0106	Power cable with mains plug, 1.8 m